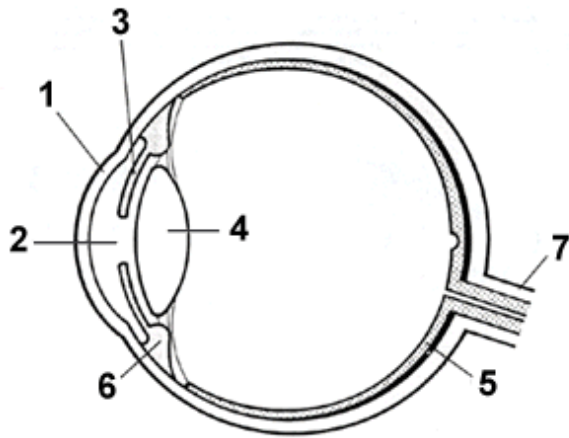


## Activity Sheet 1: How the Eyes Work

Below is a drawing of the eye with some of the more important parts numbered. Write the names of the parts of the eye and their functions in the proper boxes. The clue list is there to help you.



| Number | Part Name | Function |
|--------|-----------|----------|
| 1      |           |          |
| 2      |           |          |
| 3      |           |          |
| 4      |           |          |
| 5      |           |          |
| 6      |           |          |
| 7      |           |          |

### Part Names

- Lens
- Retina
- Ciliary Muscle
- Optic Nerve
- Pupil
- Cornea
- Iris

### Functions

- Contains cells that detect light
- Opening to the inner eye
- Controls the size of the pupil
- Focuses image of object
- Controls shape of lens
- Transmits information to brain
- Outermost transparent layer of eye, begins focusing process